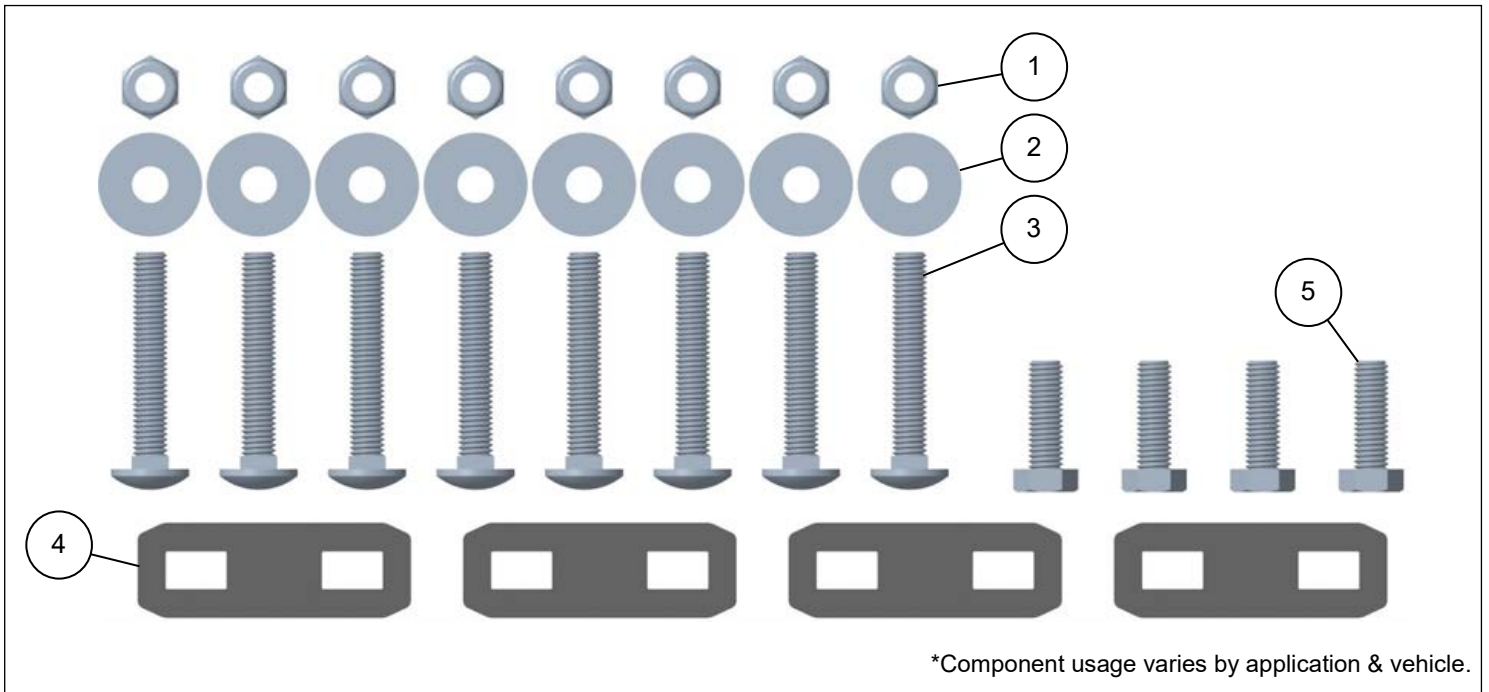


TUBE AND SURFACE MOUNTING KIT

Product Instructions | Part No: 53502

KIT CONTENTS



REF	QTY	PART DESCRIPTION
1	8	Locknut - M8 x 1.25mm
2	8	Washer
3	8	Carriage Bolt - M8 x 1.25mm x 50mm Length
4	4	U-Plate
5	4	Hex Head Screw - M8 x 1.25mm x 50mm Length

BEFORE YOU BEGIN

- Verify all parts and tools are accounted for. If parts are missing, do not return to the store. Please contact Kolpin customer service department at (877) 956-5746 or (763) 478-5800 or email customerservice@kolpin.com.
- Follow all steps correctly and in the sequence described.
- Keep these instructions for future reference or for informational requests.
- To facilitate installation, make sure that your vehicle is clean and free of debris.

ACCESSORY MOUNTING INSTRUCTIONS

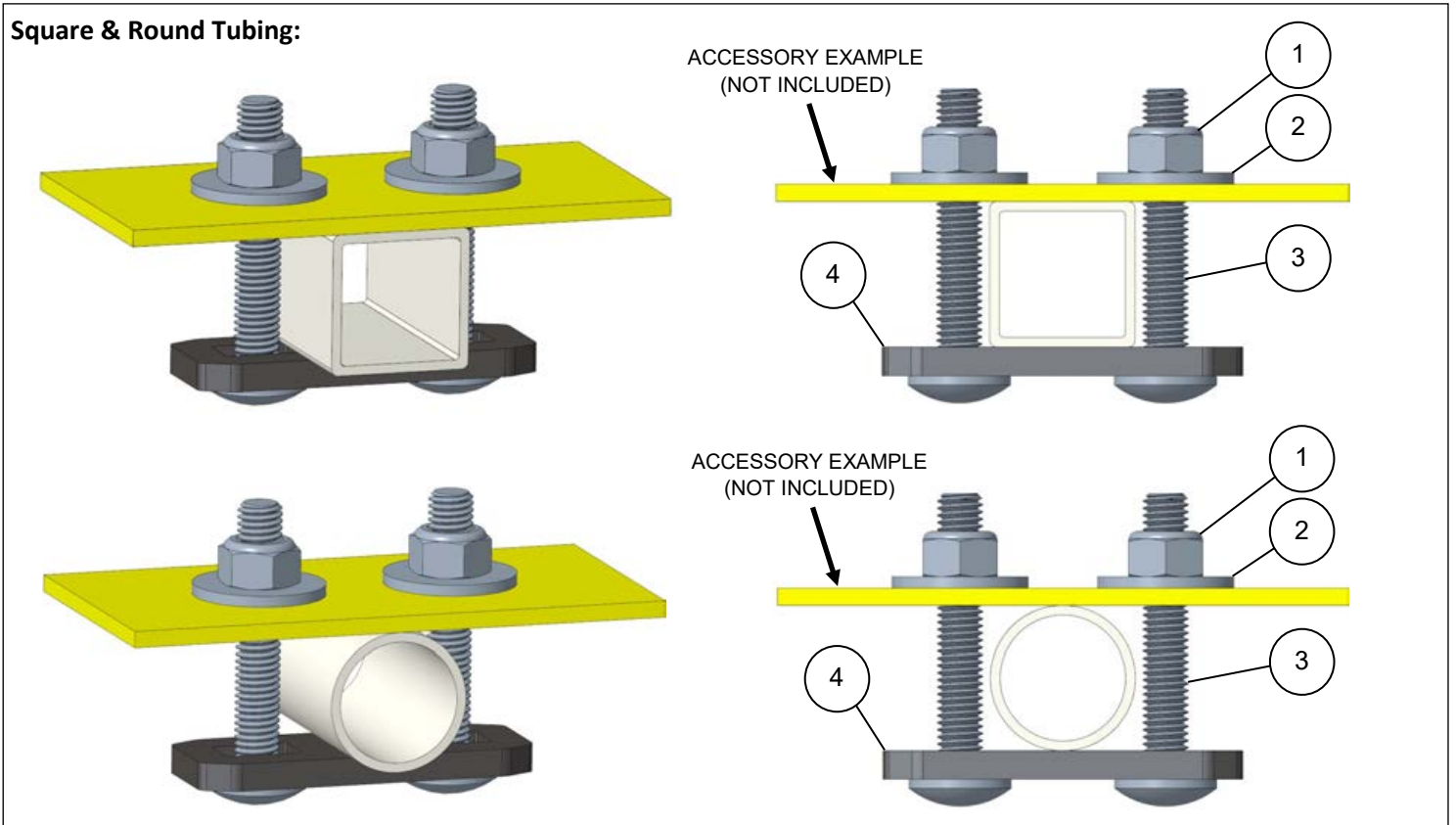
Note: This kit includes hardware that fits various vehicles and mounting configurations. See examples below and utilize the configuration that works with your vehicle. Not all hardware components will be used.

Configuration A:

- **Application:** Mounting accessory to round or square tubing.

- **Model Specific Examples:**

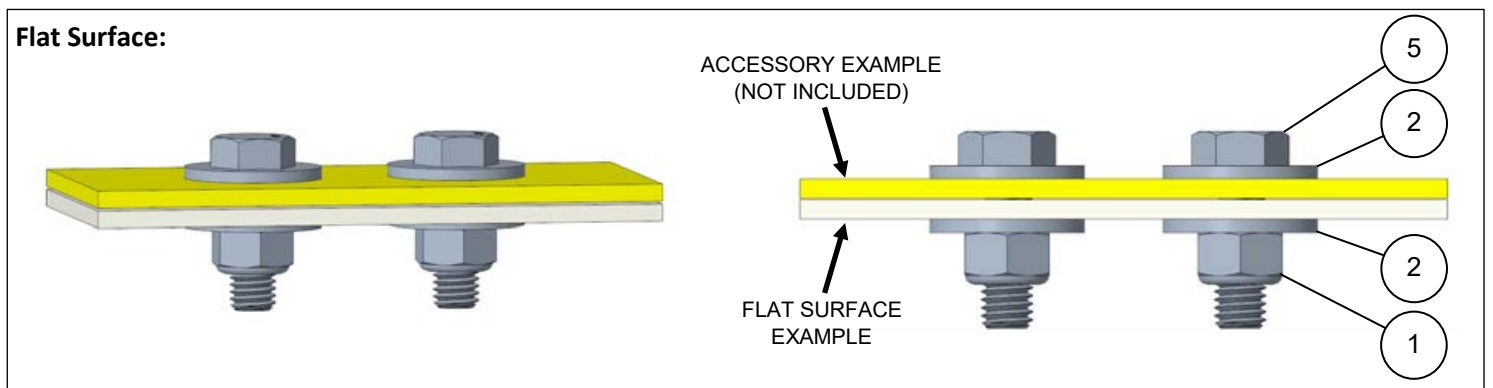
- Square Tubing: Kawasaki Mule Pro FX/FXT, Mule MX, Mule SX, Mule 4000/4010 (*with Bed Rails*)
- Round Tubing: ATVs with Tubular Racks, Honda Pioneer 500, John Deere XUVs (*with Bed Rails*)



Configuration B:

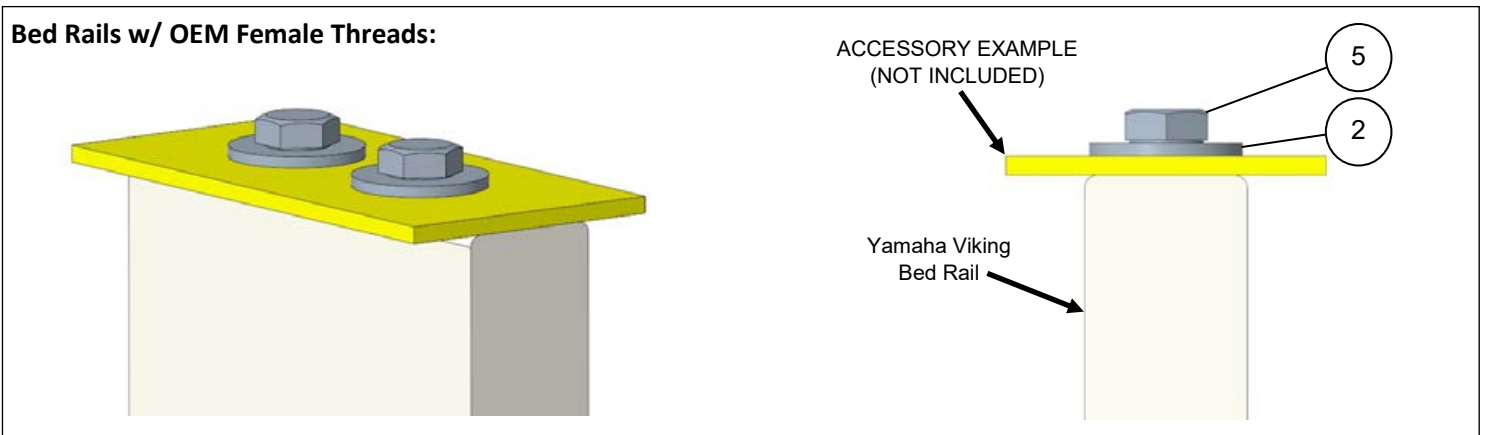
- **Application:** Mounting accessory to flat surfaces.

- **Model Specific Examples:** N/A



Configuration C:

- **Application:** Mounting accessory to bed rails with OEM M8 x 1.25mm female threads.
- **Model Specific Examples:** Yamaha Viking



USE AND CARE INFORMATION:

- Check the accessory mounts frequently and retighten if necessary.
- When this accessory becomes dirty, rinse thoroughly with cool water to remove loose dirt, then wipe with a clean cloth or sponge.
- Never use petroleum solvents such as gasoline, thinner, benzene, acid or alkaline cleaners.

ONE YEAR LIMITED WARRANTY

For the period of one (1) year from the purchase date, Kolpin will replace for the original purchaser, free of charge, any part or parts found upon examination by Kolpin to be defective in material, workmanship, or both.

All transportation costs incurred submitting product to Kolpin for warranty consideration must be borne by the purchaser. If Kolpin determines that the product must be returned to the factory for credit, please call 1-877-956-5746 for a Return Merchandise Authorization (RMA) number and shipping instructions.

This warranty does not apply to parts that have been damaged by accident, alteration, abuse, improper maintenance, normal wear, or other causes beyond the manufacturer's control. In order to protect you and your ATV, certain parts of the accessory system and/or hardware are designed to fail when the equipment is over-stressed. Parts that are lost due to loosening and improper maintenance are not covered under warranty. This warranty does not cover removal or reinstallation labor fees of the accessory system and related components. Most hardware is general in nature and is easily obtained locally. Be sure to replace with minimum metric class 8.8 specification.

Kolpin Outdoors, Inc.

Telephone: (763)-478-5800

Toll Free: (877)-956-5746

Fax Number: (800)-245-7569

Email: customerservice@kolpin.com

www.kolpin.com