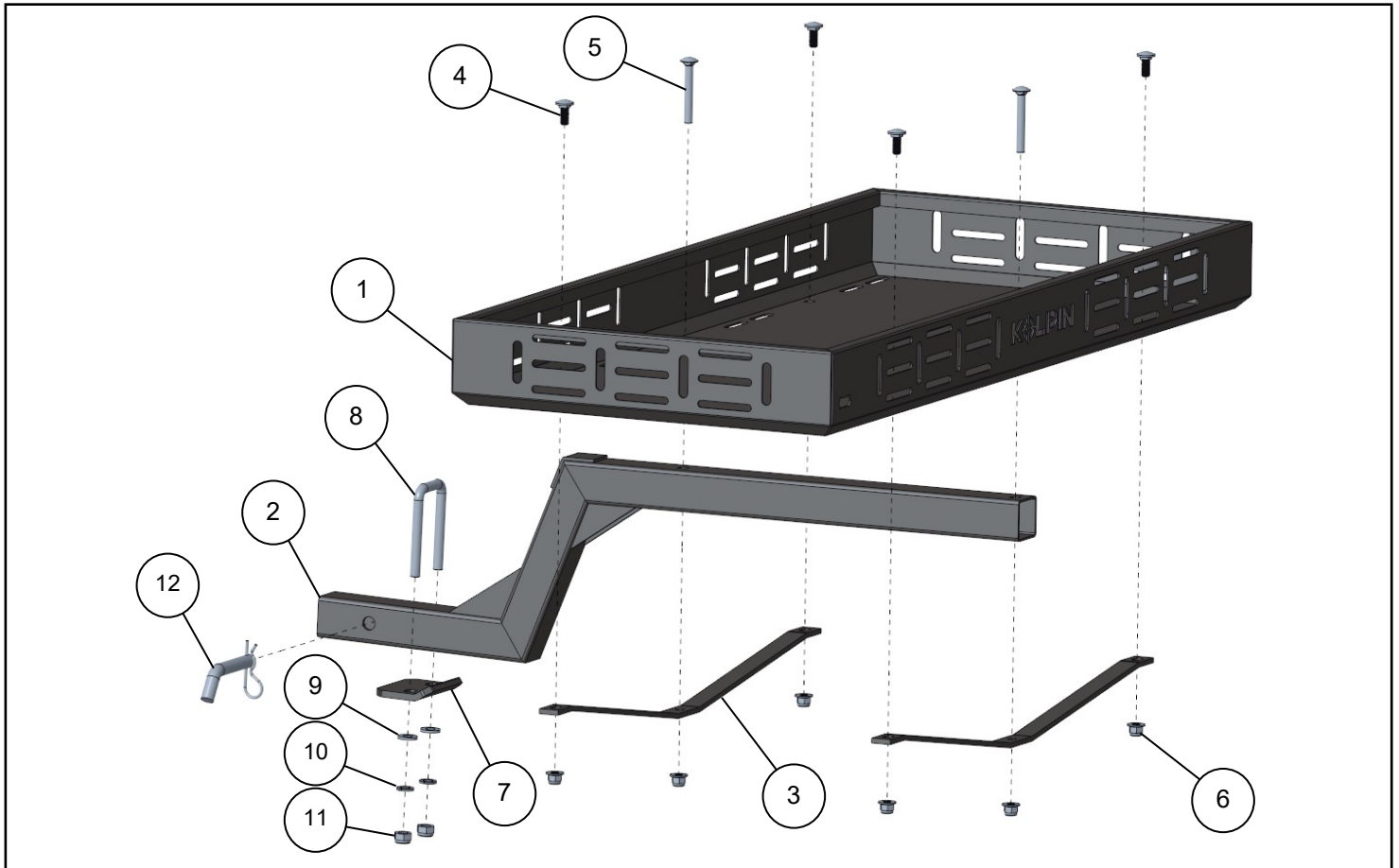


2" RECIEVER HITCH CARGO CARRIER



Product Instructions | Part No: 53460

KIT CONTENTS



REF	QTY	PART DESCRIPTION
1	1	Basket
2	1	Receiver Frame
3	2	Support Brace
4	4	Carriage Bolt - M10 x 1.5mm x 25mm
5	2	Carriage Bolt - M10 x 1.5mm x 75mm
6	6	Locknut - M10 x 1.5mm Thread
7	1	Hitch Stabilizer Plate
8	1	Square U-Bolt - M12
9	2	Flat Washer - M12
10	2	Lock Washer - M12
11	2	Locknut - M12
12	1	Hitch Pin & Clip

TOOLS REQUIRED:

- 15mm Socket
- 19mm Socket
- Torque Wrench

BEFORE YOU BEGIN

- Verify all parts and tools are accounted for. If parts are missing, do not return to the store. Please contact Kolpin customer service department at (877) 956-5746 or (763) 478-5800 or email customerservice@kolpin.com.
- Follow all steps correctly and in the sequence described.
- Keep these instructions for future reference or for informational requests.
- To facilitate installation, make sure that your vehicle is clean and free of debris.

SAFETY INFORMATION

INSTALLATION WARNINGS

WARNING

Read and follow the entire installation manual prior to installing or using the accessory, or operating a vehicle with the accessory mounted.

USAGE WARNINGS

WARNING

- Weight Capacity: 300 lbs on-road; 150 lbs off-road.
- Rack is rated for 300 lbs on-road, 150 lbs off-road with evenly distributed weight in the basket.
- Improperly loading Hitch Cargo Carrier can result in serious injury or death. Do not exceed vehicle's receiver max tongue weight. Ensure cargo is properly secured.
- Exceeding the vehicle's receiver max tongue weight can impact vehicle stability and control.
- Do not carry flammable items on the Hitch Cargo Carrier. Do not allow exhaust fumes to blow directly on cargo.
- Do not use if product is damaged.
- Ensure vehicle tail lights or head lights are not obstructed from view by the Hitch Cargo Carrier or cargo.

MOUNTING INSTRUCTIONS

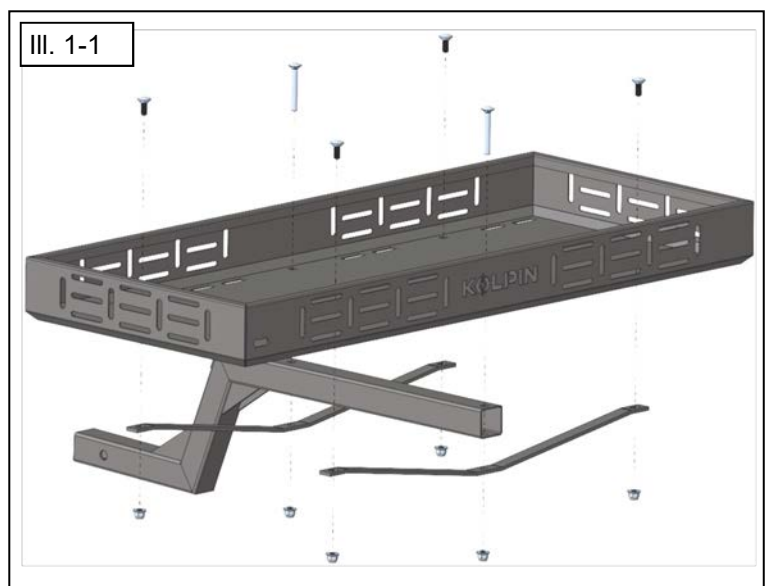
1. Assemble Basket to Receiver Frame using (4) M10 x 25mm Carriage Bolts, (2) M10 x 75mm Carriage Bolts and (6) M10 Locknuts. See Illustration 1-1.
2. Torque the M10 Carriage Bolts to the specification below.

M10 X 25MM CARRIAGE BOLT TORQUE (QTY 4) :
--

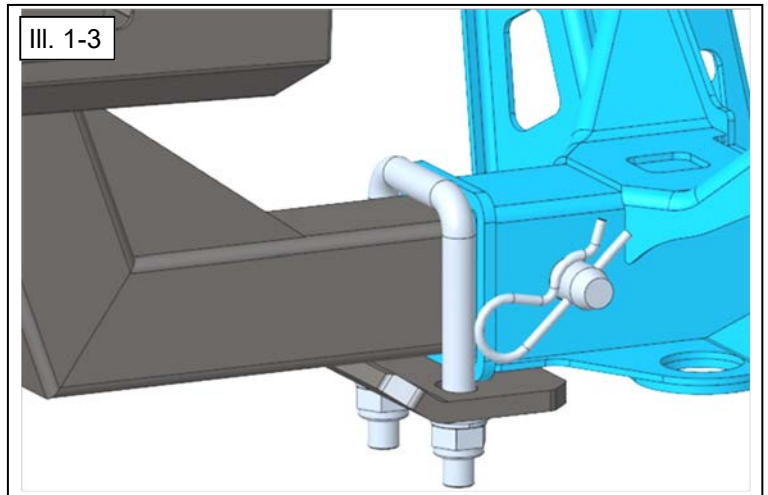
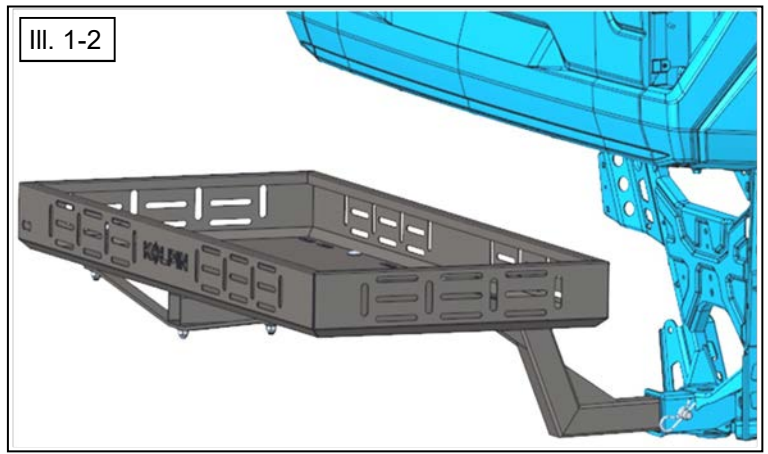
35 ft. lb. (48 Nm)

M10 X 75MM CARRIAGE BOLT TORQUE (QTY 2) :
--

30 ft. lb. (41 Nm)



3. Carefully lift and insert the Hitch Cargo Carrier into your vehicle's 2" Receiver and install Hitch Pin & Clip. See Illustration 1-2.
4. Assemble Hitch Stabilizer components as shown. The angled lip of the Stabilizer Plate should come in contact with the bottom of the Receiver Frame. See Illustration 1-3.
5. Torque the M12 U-Bolt Locknuts to the specification below.



M12 LOCKNUT TORQUE (QTY 2):
40 ft. lb. (54 Nm)

OPTIONAL ACCESSORY MOUNTING (SOLD SEPARATELY):

The modular mounting hole pattern on the sides of the Basket is compatible with a variety of Kolpin accessories. See list of compatible products below. Visit kolpin.com for updated compatibility information.

Product	Part Numbers
Rhino Grip Pro	21560
Rhino Grip XLR	21550, 21551
Rhino Grip XL	21510, 21515, 21535
Rhino Grip Ratcheting	21540
Rhino Grip Flex	21570, 21571
Stronghold Gun Boot Auto-Latch Bracket	30816

USE AND CARE INFORMATION:

- Check the accessory mounts frequently and retighten if necessary.
- When this accessory becomes dirty, rinse thoroughly with cool water to remove loose dirt, then wipe with a clean cloth or sponge.
- Never use petroleum solvents such as gasoline, thinner, benzene, acid or alkaline cleaners.
- For additional assistance, please contact Kolpin customer service department at (877) 956-5746 or (763) 478-5800 or email customerservice@kolpin.com



ONE YEAR LIMITED WARRANTY

For the period of one (1) year from the purchase date, Kolpin will replace for the original purchaser, free of charge, any part or parts found upon examination by Kolpin to be defective in material, workmanship, or both.

All transportation costs incurred submitting product to Kolpin for warranty consideration must be borne by the purchaser. If Kolpin determines that the product must be returned to the factory for credit, please call 1-877-956-5746 for a Return Merchandise Authorization (RMA) number and shipping instructions.

This warranty does not apply to parts that have been damaged by accident, alteration, abuse, improper maintenance, normal wear, or other causes beyond the manufacturer's control. In order to protect you and your ATV, certain parts of the accessory system and/or hardware are designed to fail when the equipment is over-stressed. Parts that are lost due to loosening and improper maintenance are not covered under warranty. This warranty does not cover removal or reinstallation labor fees of the accessory system and related components. Most hardware is general in nature and is easily obtained locally. Be sure to replace with minimum metric class 8.8 specification.

Kolpin Outdoors, Inc.

Telephone: (763)-478-5800

Toll Free: (877)-956-5746

Fax Number: (800)-245-7569

www.kolpin.com

Email: customerservice@kolpin.com